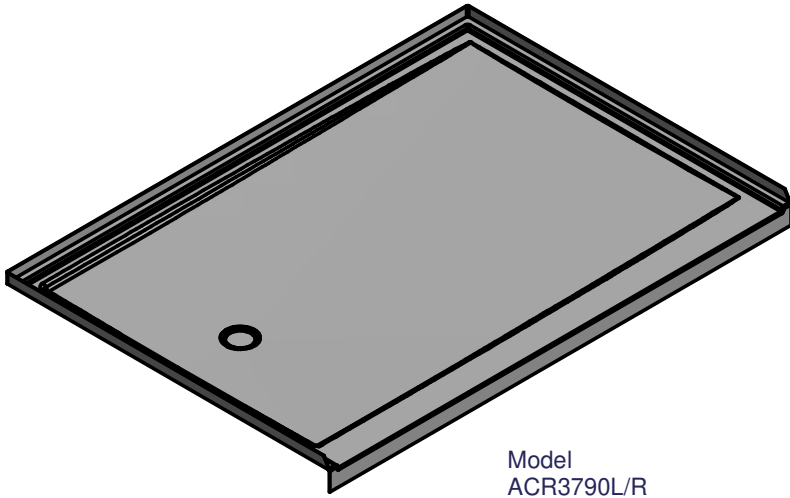


# ACCESSIBLE RECEPTOR

## Model Customer Spec ACR3790L~R

ACRYLIC



Model  
ACR3790L/R

### Model ACR3790L/R

Length: 60" (1524mm)  
Width: 41 7/8" (1064mm)  
Overall Height: 4 1/8" (105 mm)  
Threshold Height: 2.5" (64 mm)

Shipping Weight: 70 1/2 lbs (32Kg)

Materials: Manufactured from a one-piece acrylic sheet, reinforced with fibreglass.

Hytec manufactures acrylic receptors to satisfy every bathroom design or decorating need. Raised tiling flanges allow for professional installation and finishing.

### Standard Features:

- Easy to clean high gloss surface
- Chip and mar resistant
- Moulded-in floor pattern
- Raised tile ledge
- Wide threshold

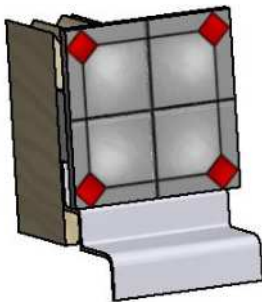
### Colours:

- Standard: White, Almond (Bone) or Biscuit
- Optional: Kohler Colours

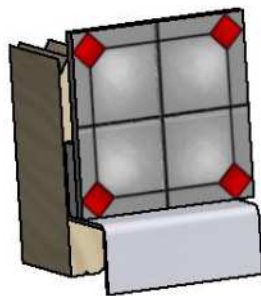
### Options:

- Single flange (SF)

Double Flange - Standard



Single Flange (SF) - Option



All products manufactured by Hytec are covered by a comprehensive five-year limited warranty from the date of sale to the original owner. See the Hytec Bathing Fixtures List Price Book for further details.

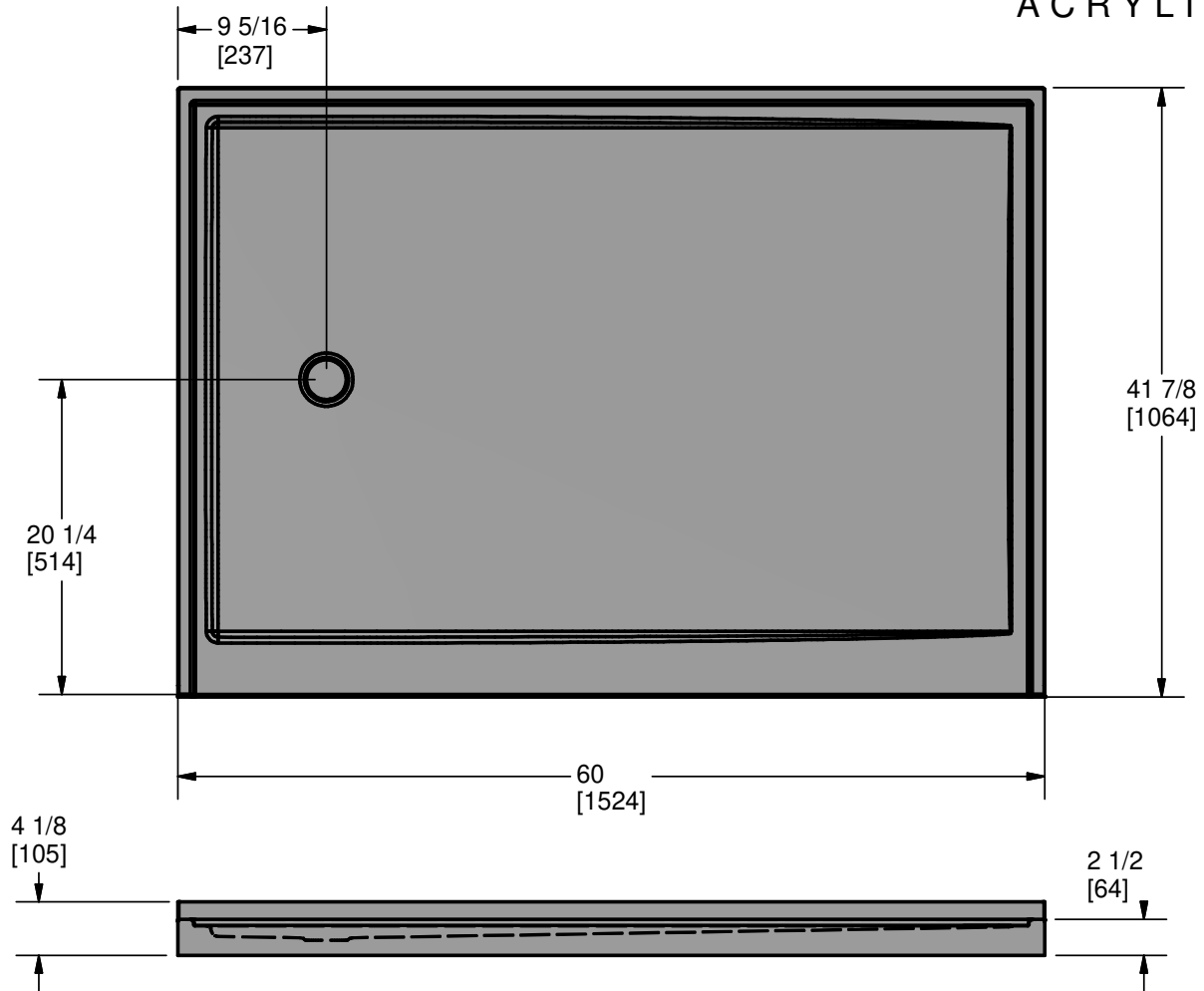
### Hytec Plumbing Products

(Division of Kohler Canada Co.)  
4150 Spallumcheen Dr, Armstrong BC V0E 1B6  
Ph. (800) 871-8311 (250) 546-3196 Fax (250)  
546-3170



**ACCESSIBLE RECEPTOR**  
**Model Customer Spec ACR3790L~R**

ACRYLIC



Measurement tolerances  $\pm 1/4"$  (6.3mm)

All bathing fixtures comply with the applicable Canadian Standards.

EPA TSCA Title VI Compliant Product.

For installation instructions, please refer to HYTEC.CA

This sheet approximately describes products and equipment manufactured or supplied by Hytec Plumbing Products. Because of ongoing efforts to improve both design and quality, products and equipment actually furnished may differ without prior notice.